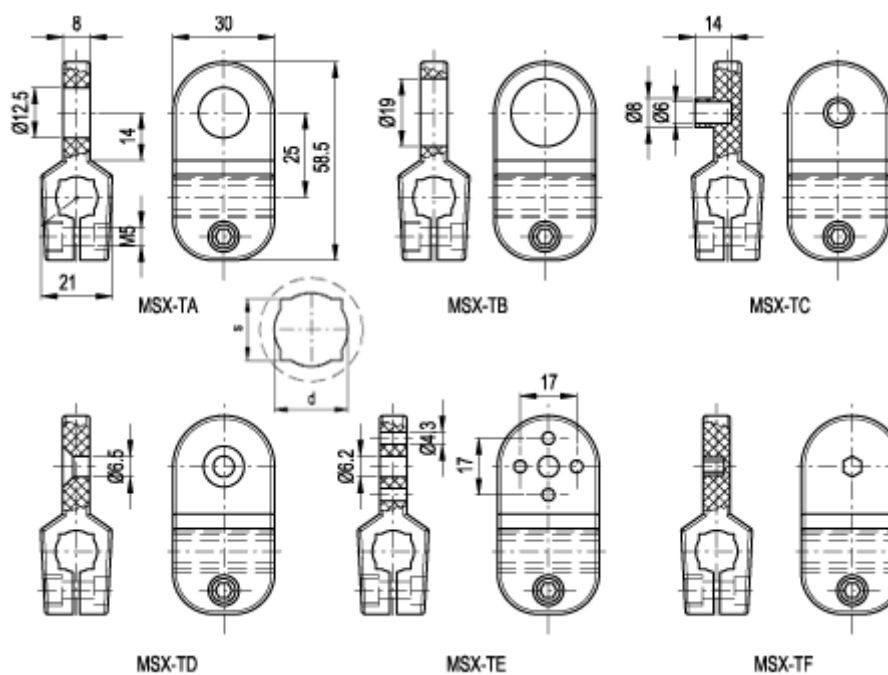


# Data Sheet



Article number: 2310440136  
Description: E+G MSX Device clamp  
MSX.56-TB-10-12

## Measures



|                     |                   |
|---------------------|-------------------|
| d                   | = 12              |
| Rotation resistance | = 4.5             |
| s                   | = 10              |
| Torque (N m)        | = 1000            |
| Type                | = MSX.56-TA-10-12 |